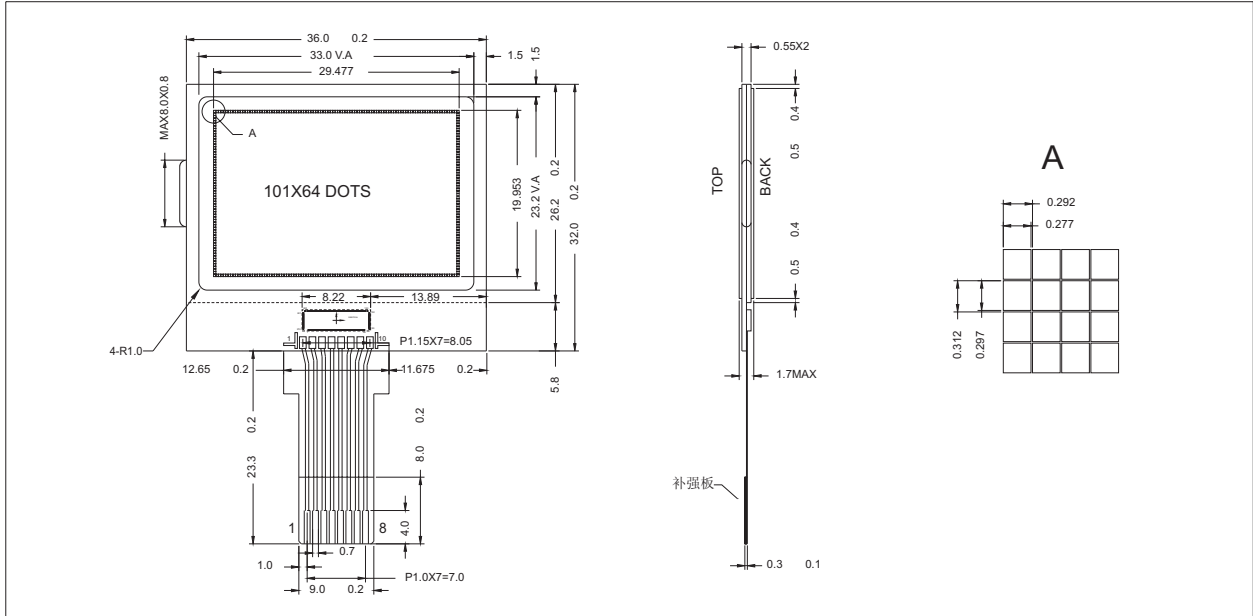


YMS10164-03

101 x 64DOTS  
1/65DUTY, 1/9BIAS

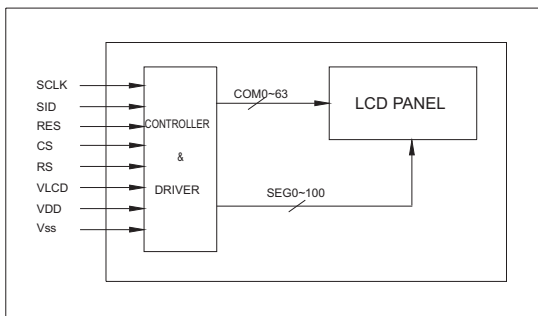
1 EXTERNAL DIMENSION AND DISPLAY PATTERN



2 MECHANICAL DATA

ITEM	SPECIFICATION	UNIT
Module Size(WXHXT)	36.0 x 32.0 x 1.7	mm
Viewing Area(WXH)	33.0 x 23.2	mm
Number of Dots(WXH)	101 x 64	dots
Dot Pitch(WXH)	0.277 x 0.297	mm
Dot Size(WXH)	0.292 x 0.312	mm

3 BLOCK DIAGRAM



4 ABSOLUTE MAXIMUM RATINGS(Ta=25 °C )

PARAMETER	SYMBOL	MIN.	MAX.	UNIT
Supply Voltage Logic	V <sub>DD</sub> (V <sub>DD</sub> -V <sub>SS</sub> )	-0.3	7.0	V
Supply Voltage Driver	V <sub>DD</sub> -V <sub>EE</sub>	-0.3	18.0	V
Input Voltage	V <sub>IN</sub>	-0.3	V <sub>DD</sub> +0.3	V

Operating Temp.	See page 6
Storage Temp.	

5 PIN CONFIGURATION

PIN	SYMBOL	SIGNAL DESCRIPTION
1	VDD	Power Signal
2	SCLK	Serial Clock Input Signal
3	SID	Serial Data Input Signal
4	RS	Register Select Signal
5	CS	Chip Select
6	VSS	Ground
7	VLCD	Supply Voltage LCD Driver
8	RES	Reset Signal

6 ELECTRICAL CHARACTERISTICS(Ta=25 °C )

ITEM	SYMBOL	CONDITION	SPEC. VALUE			UNIT
			MIN.	TYP.	MAX.	
Supply Voltage (Logic)	V <sub>DD</sub> -V <sub>SS</sub>		-	2.9	-	V
Supply Current (Logic)	I <sub>DD</sub>	V <sub>DD</sub> =5V	-	3.0	4.5	mA
Input Voltage	"HIGH"	V <sub>HI</sub>	0.7 V <sub>DD</sub>	-	V <sub>DD</sub>	V
	"LOW"	V <sub>LI</sub>	0	-	0.3 V <sub>DD</sub>	V
Output Voltage	"HIGH"	V <sub>OH</sub>	I <sub>OL</sub> =-0.205mA	2.4	-	V
	"LOW"	V <sub>OL</sub>	I <sub>OL</sub> =1.6mA	-	-	0.4
LCD Operating Voltage	V <sub>DD</sub> -V <sub>EE</sub>	V <sub>DD</sub> =5V Ta=25 °C	-	8.5	-	V
Supply Current LCD Drive	I <sub>EE</sub>		-	0.8	1.0	mA

Note(1); ( ) Value is high Reliability type.  
Note(2); Electro-Optical Characteristics: See page 4 and 5.