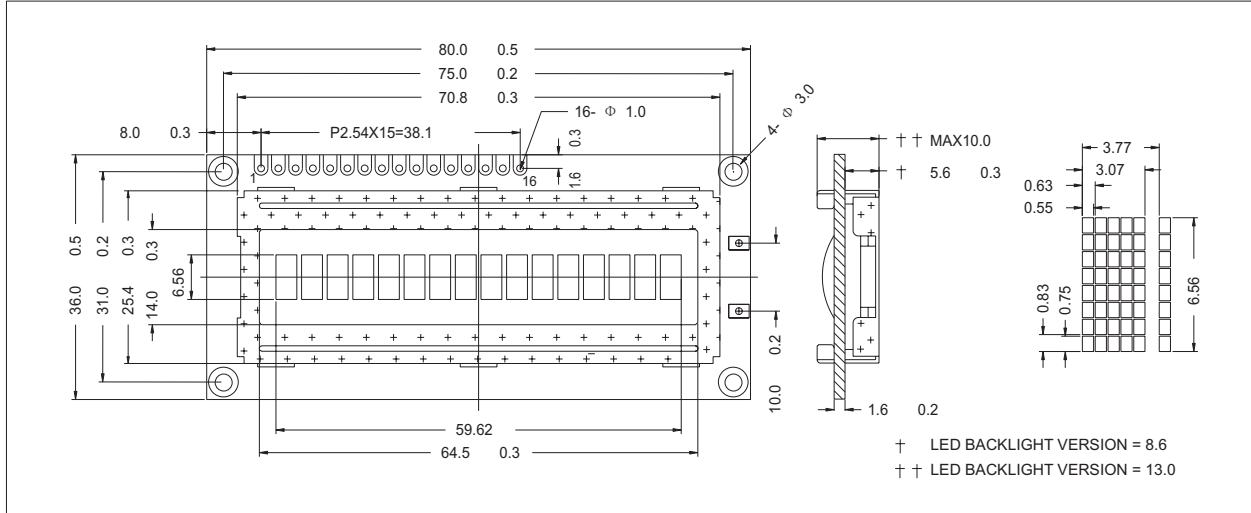


YMS161-02

16CHAR x 1LINE  
1/16DUTY, 1/5BIAS

1 EXTERNAL DIMENSION AND DISPLAY PATTERN



2 MECHANICAL DATA

ITEM	SPECIFICATION	UNIT
Module Size(WXHXT)	80.0 x 36.0 x 10.0(LED:13.0)	mm
Viewing Area(WXH)	64.5 x 14.0	mm
Character Font(WXH)	5 x 7 with Cursor	dots
Character Size(WXH)	3.07 x 6.56	mm
Character Pitch(WXH)	3.77	mm
Dot Size(WXH)	0.55 x 0.75	mm

5 ABSOLUTE MAXIMUM RATINGS

PARAMETER	SYMBOL	MIN.	MAX.	UNIT
Supply Voltage Logic	$V_{DD}-V_{SS}$	-0.3	7.0	V
Supply Voltage Driver	$V_{DD}-V_{EE}$	-0.3	13.5	V
Input voltage	$V_{IN}$	-0.3	$V_{DD}+0.3$	V
Operating Temp.	See page 9			
Storage Temp.				

3 PIN CONFIGURATION

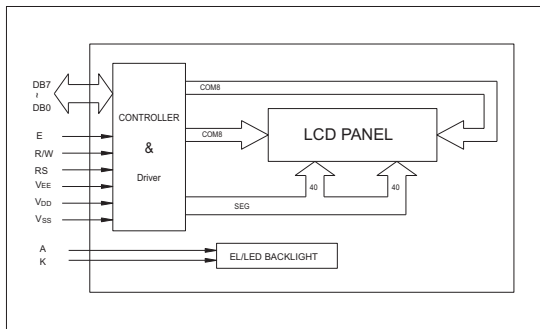
PIN	SYMBOL	SIGNAL DESCRIPTION
1	$V_{SS}$	GND(0V)
2	$V_{DD}$	Power Supply(5V)
3	$V_{EE}$	Supply Voltage LCD Driver
4	RS	Register Select-LOW=Instruction,HIGH=Data
5	R/W	Read/Write LOW=MPU to LCM,HIGH=LCM to MPU
6	E	Eable R/W=LOW:Data are talking over at falling edge R/W=HIGH:Data can be read at E=1
7 to 14	DB <sub>7</sub> to DB <sub>7</sub>	Data Bus-Software Selectable 4 or 8bit Mode
15	A	Anode of LED Unit
16	K	Cathode of LED Unit

6 ELECTRICAL CHARACTERISTICS(Ta=25 °C )

ITEM	SYMBOL	CONDITION	SPEC.VALUE			UNIT
			MIN.	TYP.	MAX.	
Supply Voltage (Logic)	$V_{DD}-V_{SS}$		4.5	5.0	5.5	V
Supply Current (Logic)	$I_{DD}$	$V_{DD}=5V$	-	0.8	2.0	mA
Input Voltage	"HIGH"	$V_{IH}$	-	2.2	-	$V_{DD}$
	"LOW"	$V_{IL}$	-	-0.3	-	0.6
Output Voltage	"HIGH"	$V_{OH}$	$I_{OL}=0.2mA$	2.4	-	V
	"LOW"	$V_{OL}$	$I_{OL}=1.2mA$	-	-	0.4
LCD Operating Voltage	$V_{DD}-V_{EE}$	$V_{DD}=5V$	4.5	4.7	5.0	V
Supply Voltage LCD Drive	$I_{EE}$	$Ta=25\text{ }^{\circ}C$	-	1.0	1.5	mA

Note(1): ( ) Value is high Reliability type  
Note(2): Electro-Optical Characteristics:See page 6.

4 BLOCK DIAGRAM



7 BACKLIGHTING CHARACTERISTICS(Ta=25 °C )

ITEM	SYMBOL	CONDITION	MIN.	TYP.	MAX.	UNIT
Supply Voltage	$V_{LED}$	-	-	4.2	4.6	V
Power Consumption	$P_{LED}$	$I_F=90\text{ mA}$	-	380	-	mW
Luminous	$I_v$	$I_F=90\text{ mA}$	-	200	-	cd/m <sup>2</sup>