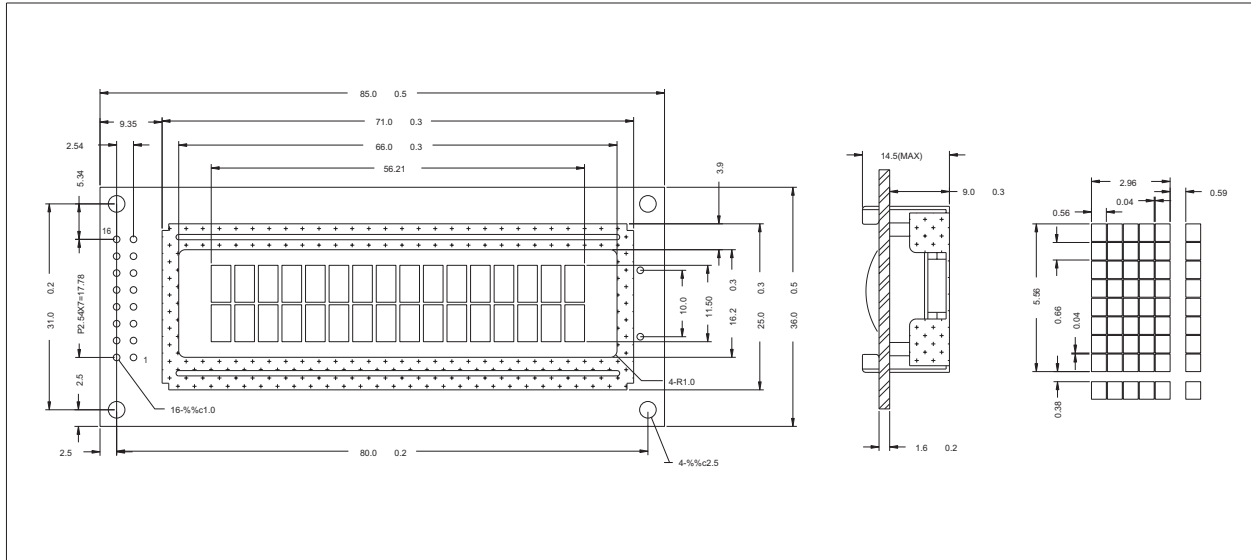


YMS162-22

16CHAR x 2LINE  
1/16DUTY, 1/5BIAS

1 EXTERNAL DIMENSION AND DISPLAY PATTERN



2 MECHANICAL DATA

ITEM	SPECIFICATION	UNIT
Module Size(W*H*T)	85.0 36.0 14.5	mm
Viewing Area(W*H)	66.0 16.2	mm
Character Font(W*H)	5 7 with Cursor	mm
Character Size (W*H)	85.0 36.0	mm
Character Pitch (W*H)	2.96 5.56	mm
Dot Size (W*H)	0.56 0.66	mm

3 PIN CONFIGURATION

PIN	SYMBOL	SIGNAL DESCRIPTION
1	V <sub>SS</sub>	GND (0V)
2	V <sub>DD</sub>	Power Supply (5V)
3	V <sub>EE</sub>	Supply Voltage LCD Driver
4	RS	Register Select-LOW=Instruction, HIGH=Data
5	R/W	Read/Write LOW=MPU to LCM, HIGH=LCM to MPU
6	E	Eable R/w=LOW:Data are talking over at falling edge R/w=HIGH:Data can be read at E=1
7 to 14	DB <sub>7</sub> to DB <sub>0</sub>	Data Bus-Software Selectable 4 or 8bit Mode
15	LED+	Anode of LED Unit
16	LED-	Cathode of LED Unit

4 ABSOLUTE MAXIMUM RATINGS

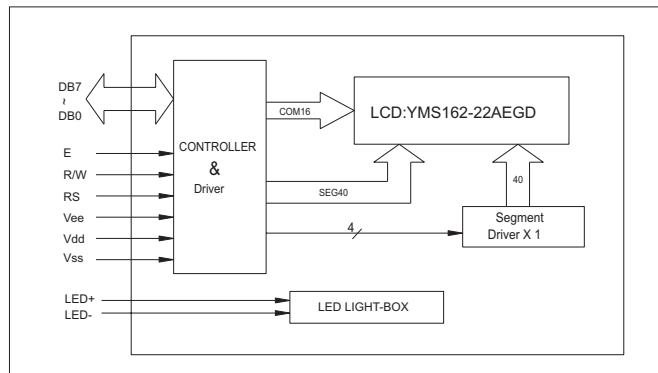
PARAMETER	SYMBOL	MIN	MAX	UNIT
Supply Voltage Logic	V <sub>DD-VSS</sub>	-0.3	7.0	V
Supply Voltage Driver	V <sub>DD-VEE</sub>	-0.3	13.5	V
Intut Voltage	V <sub>IN</sub>	-0.3	V <sub>DD</sub> +0.3	V

Operating Temp	See page 9
Storage Temp	

5 ELECTRICAL CHARACTERISTICS(Ta=25 °C )

ITEM	SYMBOL	CONDITION	SPEC.VALUE			UNIT
			MIN.	TYP.	MAX.	
Supply Voltage (Logic)	V <sub>CC-V<sub>SS</sub></sub>		4.5	5.0	5.5	V
Supply Current (Logic)	I <sub>DD</sub>	V <sub>CC</sub> =5V	-	0.8	2.0	Ma
Input Voltage	HIGH	V <sub>IH</sub>	-	2.2	-	V <sub>DD</sub> V
	LOW	V <sub>IL</sub>	-	-0.3	-	0.6 V
Output Voltage	HIGH	V <sub>OH</sub>	I <sub>OH</sub> =0.2mA	2.4	-	V
	LOW	V <sub>OL</sub>	I <sub>OL</sub> =0.2mA	-	-	0.4 V
LCD Operating Voltage	V <sub>DD-V<sub>EE</sub></sub>	V <sub>DD</sub> =5V Ta=25 °C	-	7.8	-	
Supply Voltage LCD Drive	I <sub>EE</sub>		-	1.3	-	

6 BLOCK DIAGRAM



7 BACKLIGHTING CHARACTERISTICS(Ta=25 °C )

ITEM	SYMBOL	CONDITION	MIN.	TYP.	MAX.	UNIT
Supply Voltage	V <sub>LED</sub>			4.2	4.6	V
Power Consumption	P <sub>LED</sub>			0.38		W
Luminous	I <sub>v</sub>			40	200	cd/m <sup>2</sup>